

Xenon Searchlight 350 watt

These Searchlights are designed for use on Fast Ferries, Yachts and other small ships

25 Million Candlepower

Manual Control Features



350w Xenon

- 12-inch, 350 Watt... 25 Million Candlepower
- Nominal 1 degree beam collimation
- Remote electric focus (1 to 15 degrees)
- External manual beam-size focus knob (provides back up if focus motor fails)
- Compact electronic solid state power supply (current regulated)
- Sparkling chrome or scratch-resistant white or black powder coat finishes
- Precision electroformed deep dish reflector made of virtually indestructible nickel with polished rhodium finish
- Horizontal motion exceeds 385 degrees with unique Sliding Stop Design
- Voltages: 24vdc, 115VAC or 230VAC
- Multiple Indoor and Weatherproof Controls
- Upside Down Mounting Option
- Optional detachable Infrared Filter provides Covert Surveillance

Remote Electrical Control Features

Note: Remote Electric Control Units have all of the features Listed above and also the following:



350w Xenon Finish
Black standard

- Mounted on rugged motorized base with horizontal and vertical clutch assemblies
- Exceeds 380 degrees horizontal rotation
- Anti-condensation heater in base
- Advanced Joystick Design - Direction and speed controlled with one hand while freeing up the other hand to steer vessel
- Beam Speed Control - changes beam speed fro 2 to 10 degrees per second
- Single control station with Joystick or multiple controls stations with joystick
- Indoor and outdoor weatherproof control stations available
- Optional anti-icing heater circuitry
- Optional digital azimuth indicator of beam direction available

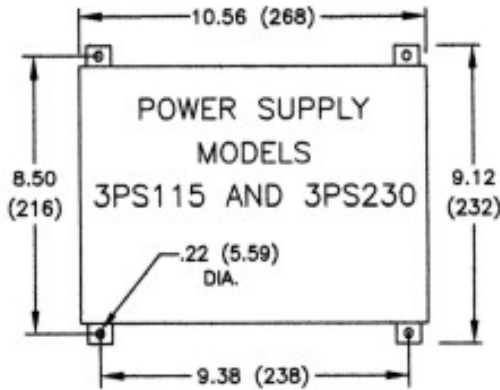


Specifications not guaranteed and subject to change without notice

Xenon Searchlight 350 watt

These Searchlights are designed for use on Fast Ferries, Yachts and other small ships

Power Supply for 350w Xenon

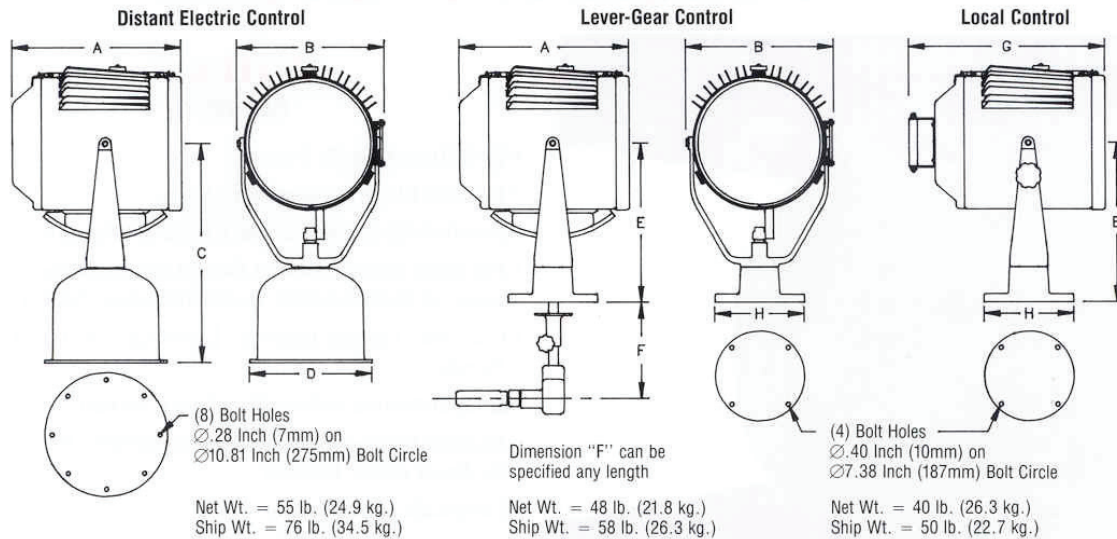


3PS115 or 3PS230

Efficient electronic current regulated power supply. Constant current increases lamp-life and keeps searchlight intensity constant despite voltage input changes. Solid state electronics includes universal power input feature providing 115 volts AC and 230 volts AC power interfaces on the same printed circuit board. Current dimming switch adjusts amperage throughout a continuous spectrum.

Dimensional Data 350w Xenon

Searchlight Dimensions: Inches (mm)							
A	B	C	D	E	F	G	H
15.75 (400)	13.5 (343)	20.0 (508)	11.38 (289)	14.62 (371)	10.88 (276)	19.0 (482)	8.25 (209)

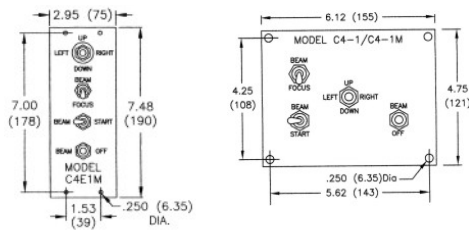


Specifications not guaranteed and subject to change without notice

Xenon Searchlight 350 watt

These Searchlights are designed for use on Fast Ferries, Yachts and other small ships

Distant Electric Controls for 350 Xenon searchlights



CF-C4-1-1, CF-C4-1M-1, CF-C4E1M-1

Joystick Control Stations: Remote control functions include Lamp "ON/OFF", "Electric Beam Size Focus Start and Off", and advanced "Joystick" which controls speed and direction simultaneously with one hand. (move the joystick to the first position and it will move slowly, move it further and it will go faster) One Master Station CF-C4-1-1 is required with each system.

Additional Control Stations: To the CF-C4-1-1 can be added one or more slave stations. CF-C4-1M-1 is the indoor model for slave stations, CF-C4E1M-1-1 is the weatherproof model for slave stations flush mounted in a panel. CF-C4E1M is an outdoor slave station mounted in a weatherproof box.

Ordering a 350w Xenon

Description	Searchlight Part Numbers	
	Chrome	Black
Distant Elec.	CF-XY3CDE-ARF3	CF-XY3EDE-ARF3
Lever-Gear	CF-XY3CLG-ARF3	CF-XY3EDE-ARF3
Local control	CF-XY3CL-A3	CF-XY3EL-A3

Add the following to searchlight	
Description	Part No.
Power supply 115vac 1 ph	CF-3PS115
Power supply 230vac 1 ph	CF-3PS230
Dist. Elec. Control Stations	
Master station flush mount	CF-C4E1M
Slave station indoor flush mnt	CF-C4-1M-1
Slave stn outdoor flush mnt	CF-C4E1M-1-1
Slave stn outdoor wx-proof bx	CF-C4E1M

To order a complete searchlight you must select the basic searchlight part number, plus a power supply part number, and a control station part number. You should also include a written description of the searchlight system as you envision it. This ensures that all components are ordered. ie. 350w xenon distant electric control, colour black, 230vac power supply with two indoor control stations. CF-XY3EDE-ARF3 + CF-3PS230 + CF-C4-1-1 + CF-C4-1M-1.

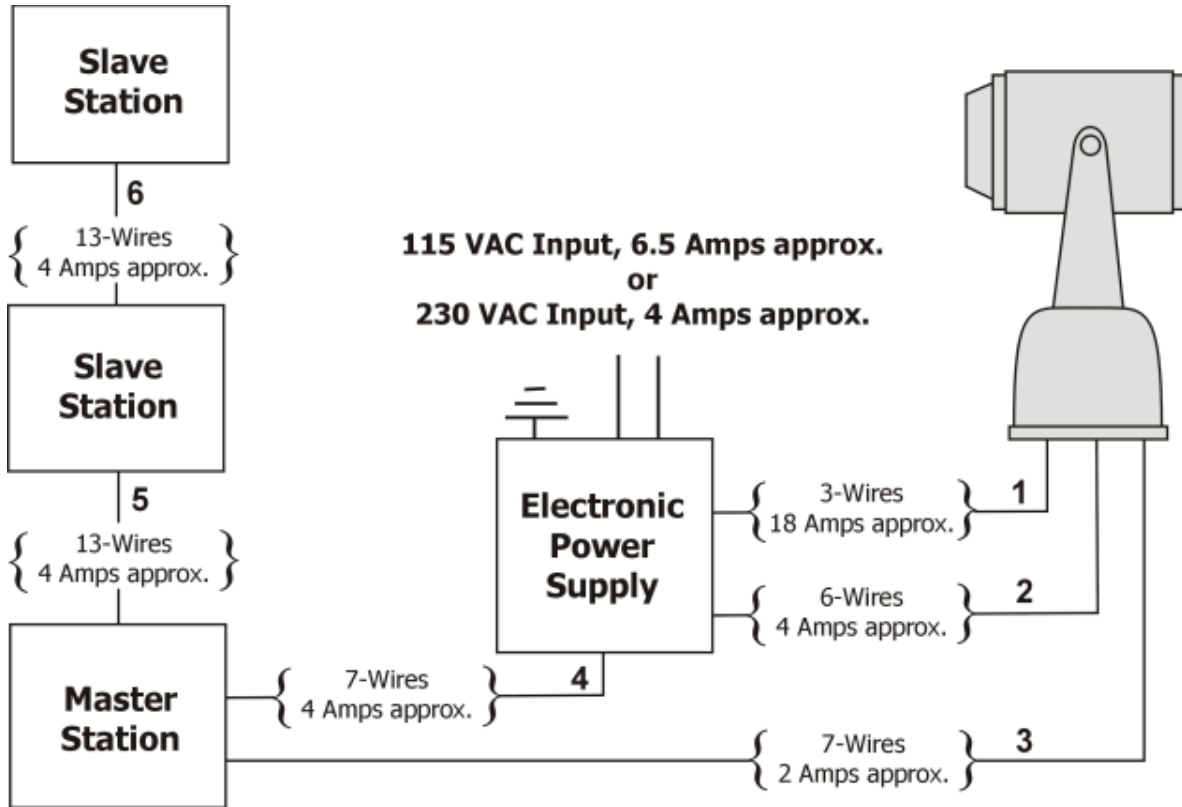


Specifications not guaranteed and subject to change without notice

Xenon Searchlights 350 watt

These Searchlights are designed for use on Fast Ferries, Yachts and other small ships

Distant Electric Control Wiring for 350w Xenon searchlight



Note: Cables 1 and 2 are supplied by the factory and extend approximately 3 meters out of the base, with the ends stripped bare. All other cables (3, 4, 5, and 6) are supplied by the customer or installer. One master station is required for each searchlight, and any number of Slave Control Stations can be added. DC amperes flow through cable 1. The power supply should be located as close as practical to the searchlight, so as to minimize the voltage drop which can cause the xenon lamp to go out. Ampere values are approximate... size wires with respect to Load, Distance, Temperature, and Local Electrical Codes and Laws. Consult wiring diagram supplied with each searchlight, prior to connecting wires to the searchlight, power supply and control stations



Specifications not guaranteed and subject to change without notice