

Setting standards for quality and service
when it comes to lighting solutions.

This is the world of LightPartner.



LightPartner®
Lichtsysteme GmbH & Co. KG
Am Mohrenhof 7
D-28277 Bremen / Germany
Fon: +49 (0)421 - 87 195-0
Fax: +49 (0)421 - 87 195-19
www.lightpartner.de

The green side of the ship



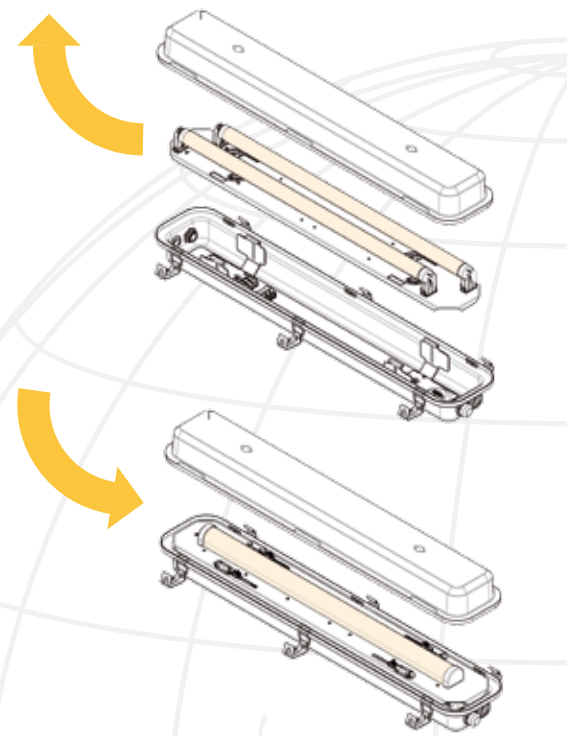
LightPartner Refit Solutions

Easy Upgrade



LightPartner offers an uncomplicated LED upgrade concept for a large number of the luminaires that are installed on board:

- The existing mains connection and lamp housings are retained
- You simply replace the internal device carrier with a connection-ready LED module
- The luminaire is upgraded to long-lasting LED technology within a few minutes

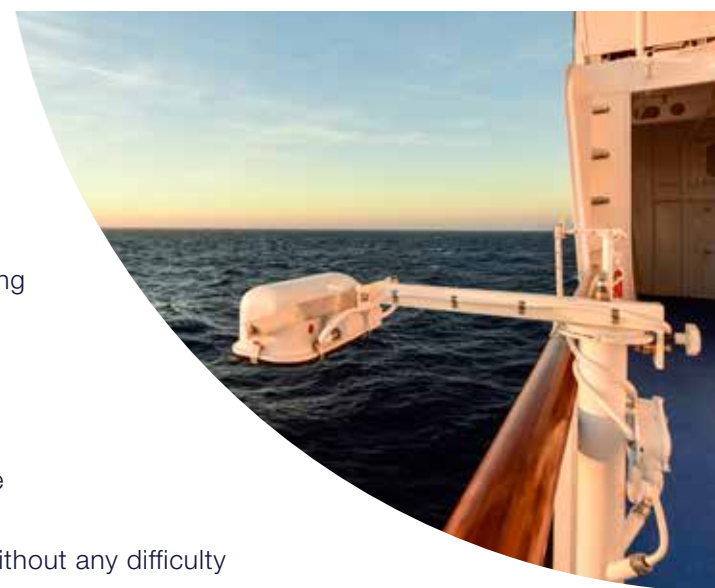


Clever Replacement



LightPartner stocks a wide range of established LED products for the shipping industry. We also consider the conditions on board as early as the design stage of our lighting solutions, so that the customer does not have to undertake unnecessary construction work:

- Choose a suitable product from our comprehensive range
- Use the lamp fastenings already fitted at the site
- Replace the old product with a new, efficient LED lamp without any difficulty



Be part of the changing world

Lighting nowadays means much more than just On/Off. We stand by you with our experience, and work with you to define your individual aims. We develop the best solution for your modernisation concept on this basis.

LED Refit

Saving energy is often of prime concern when it comes to an LED refit. LightPartner finds the right LED replacement for almost any product.



Light Quality

The quality and convenience of lighting are becoming ever more important. LightPartner offers much more than a comprehensive range of luminaires with a high colour rendering index (CRI), but also numerous dimmable products with colour temperature controls such as Tunable White and Dim-to-Warm, as well as colour control like RGBW.



Lighting Control

Intelligent lighting control from LightPartner not only brings the right light to the right place, but also allows for the individual design of various lighting schemes. Very different moods and atmospheres can be created, depending on what the customer wants.



Lighting Management

Monitor what the ship is telling you. This opens up many opportunities, from reduction in the output of CO₂, through occupancy reporting, up to remote maintenance.



- Increase the comfort of your ship – and its value
- Save energy, reduce maintenance expenses, and increase safety
- One more step towards the green ship